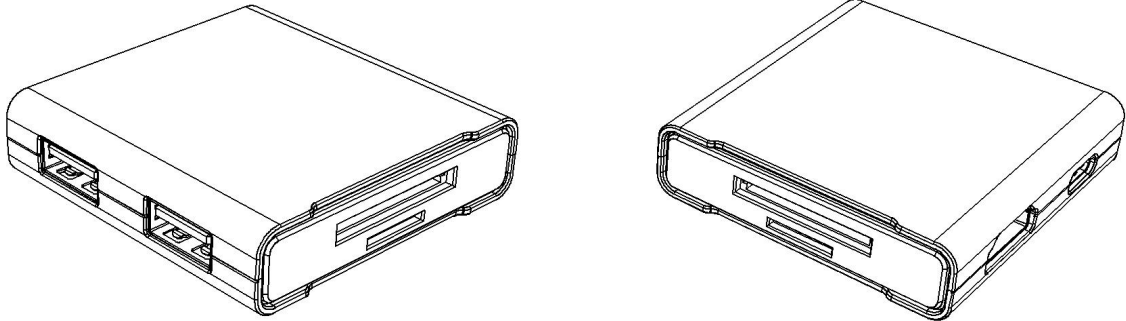


# USER GUIDE

**Model:**                     HRY-204                    

**Name:**           Multifunction USB Type-C Hub          



## Packaging content

- |  |      |
|--|------|
| 1、Multifunctional USB Type-C Hub           | 1PCS |
| 2、Instructions and quality assurance cards | 1PCS |

## System requirements

- 1、Operating system (OS)      WIN7/WIN8/WIN10/MAC drive free connection
- 2、Device with TYPE-C interface (support for charging, data and DP ALT MODE functions)

## Product characteristics

- 1、Exquisite and small appearance design, classic and fashionable, easy to carry
- 2、High-definition video output, suitable for all kinds of display equipment
- 3、Strong PD fast charging function, have fun while charging at the same time
- 4、USB3.0 Port support big data peripheral product transmission
- 5、USB2.0 Port support connection to multiplexed peripherals
- 6、Support TF & SD dual card reading and writing function
- 7、Excellent device compatibility, Support TYPE-C GEN1、 GEN2 and Thunderbolt 3

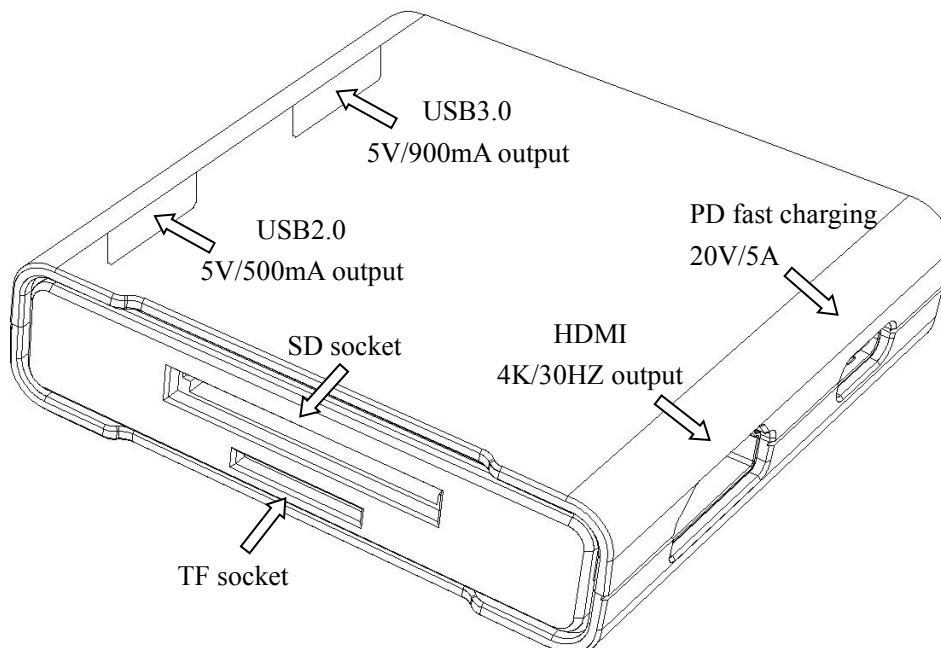
## Technical parameter

- 1、Working voltage:  $5\pm 0.5V$
- 2、Working current:  $\leq 3A$
- 3、TYPE-C: Support for PD fast charging protocol
- 4、USB3.0: 1 port
- 5、USB2.0: 1 port
- 6、HDMI: 4K/30HZ
- 7、TF & SD: 1 socket
- 8、Cable: Connect to devices with TYPE-C interface (support for charging, data and DP ALT MODE)
- 9、Net weight:  $35g\pm 10g$
- 10、Product size:  $55*55*13.8mm\pm 1mm$

## Installation steps

- 1、Take out the product and connect the end of the cable with type-c port to the computer
- 2、At this point, the computer will automatically install the driver. After the installation is completed, first connect the PD power supply, and then connect other kinds of devices to use normally.

## Product interface specification



## Warm Prompt

- 1、 Connection to host TYPE-C interface, need to support charging, data and DP ALT MODE function, otherwise can not convert all functions
- 2、 TF socket and SD socket can't be used at the same time
- 3、 External PD power supply requires the use of the original equipment equipped with the adaptive power supply, or use other power adapters that conform to the specifications

## Pictures

