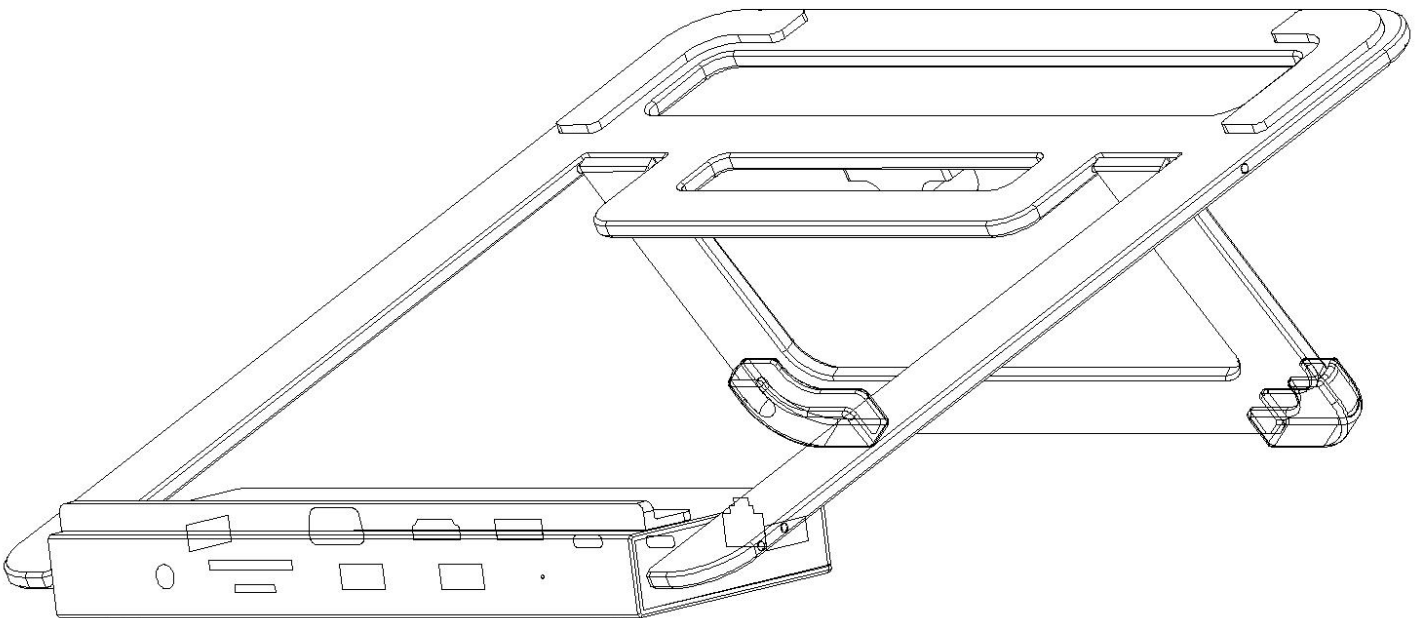


USER GUIDE

Model: HRY-230

Name: Multifunctional USB C Bracket Docking



Packaging content

- | | |
|---|------|
| 1、 Multifunctional USB Type-C bracket docking | 1PCS |
| 2、 Instructions and quality assurance cards | 1PCS |

System requirements

- 1、 Operating system (OS) WIN7/WIN8/WIN10/MAC drive free connection
- 2、 Device with TYPE-C interface (support for charging, data and DP ALT MODE functions)

Product characteristics

1. The industry's 1st bracket docking design, best companion for desktop.
2. Ergonomic supporting angle, comfortable to use & not easy to get fatigue.
3. Super-long C to C flat cable for signal transmission, free from bondage & easy to use.
4. Powerful PD fast charging, unstop playing with more fun.
5. HDMI video output, support 4K/30Hz maximum.
6. VGA video output, support 1080P display.
7. Support SST function with 1080P display.
8. Support 3.5mm audio output, more convenient to listen to music.
9. Provide 1000M wired network connection, more faster & stable data transmission.
10. Multiple USB interface, connect more peripherals.
11. TF & SD card reader, more convenient to read,write & store.
12. Front power indicator to monitor power status.

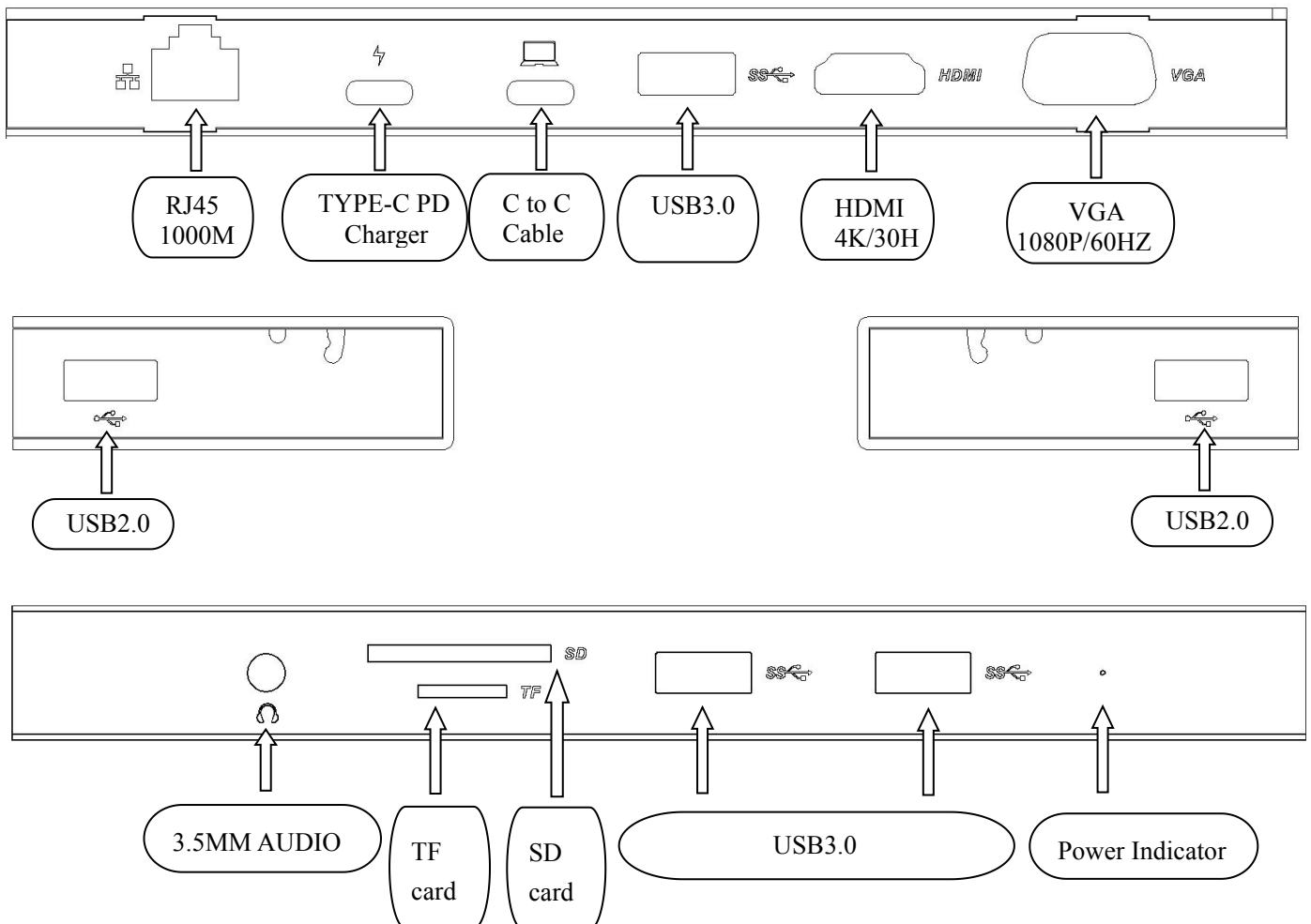
Technical parameter

1. Working Voltage: $5\pm 0.5V$
2. Working Current: $\leq 200MA$
3. TYPE-C: Support PD faster charging.
4. USB3.0: 3 Ports, Support USB2.0/3.0 devices
5. USB2.0: 2 Ports, Support USB2.0 devices
6. HDMI: 4K/30HZ
7. VGA:1080P/60HZ
8. Audio: Standard 3.5mm Audio Jack
9. TF&SD: 1 each
10. RJ45: 1000M Ethernet
11. Cable: C-To-C flat cable 40cm, Connect the devices that with USB-C port(support charging, data & DP ALT MODE function).
12. Supporting Angle: $\angle 18^{\circ}\pm 1^{\circ}$
13. Product Weight: $440g\pm 10g$
14. Product Dimension: $220.2*250.2*25.2mm\pm 1mm$ (Support Max 15 inch MacBook)

Installation steps

1. Take out product, Connect one end of the C-To-C flat cable to docking station where with symbol(☐).
2. Connect other devices you need, and connect the PD cable to docking station where with symbol(⚡).
3. Connect the other end of the C-To-C flat cable to the full-function USB-C interface of a Computer or other device.
4. The driver will be installed automatically by PC or other device, and all connected devices ready to work after that.

Product interface specification



Kindly reminder

1. The USB-C interface on host has to support CHARGING, DATA & DP ALT mode, or some of the functions maybe NOT WORKING!
2. Pay attention to the difference between PD & PC signal interface. or it won't work.
3. TF & SD card reader can not work at the same time.
4. When HDMI & VGA are displayed at the same time, the resolution is 1080p/60Hz.
5. Audio Jack only works when the HDMI or VGA display connected.
6. External PD power adapter must use original one or the one with compliance.