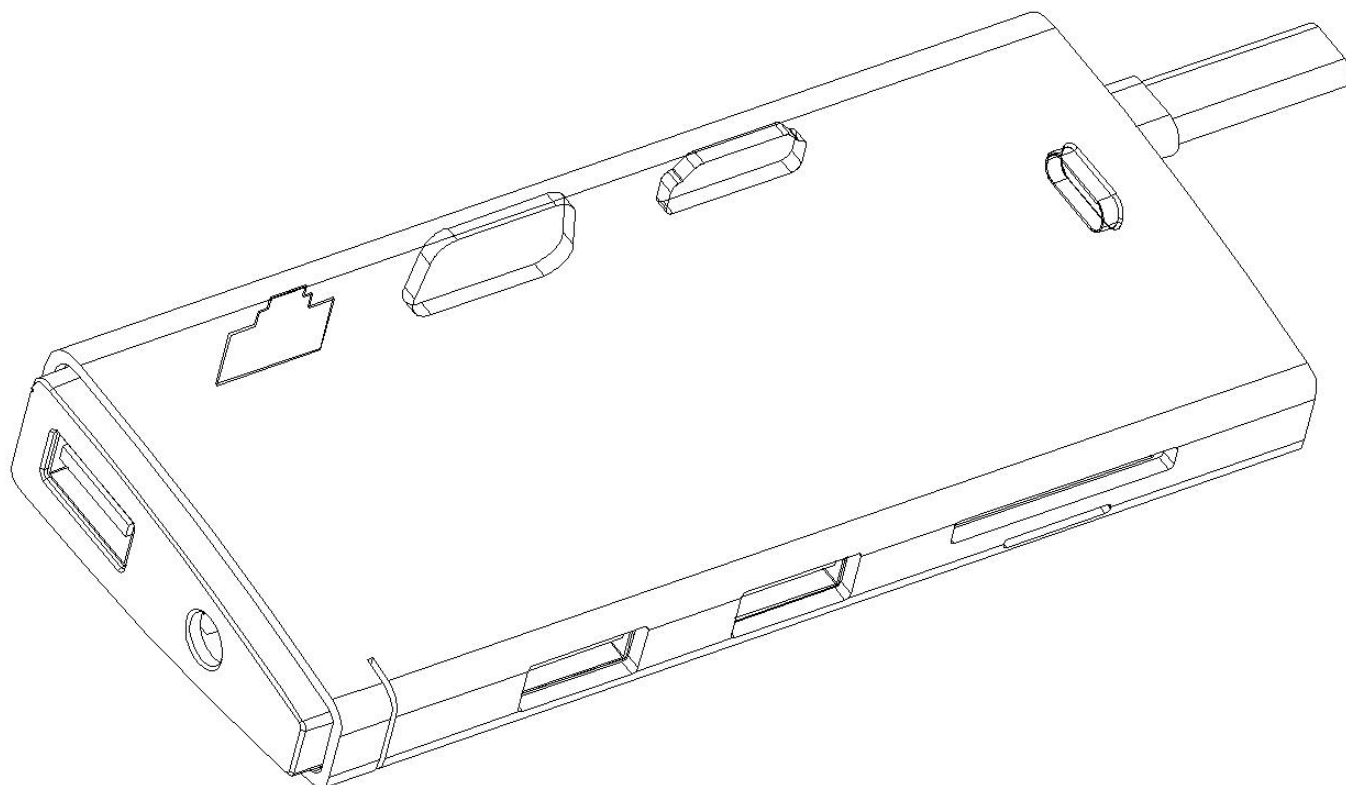


USER GUIDE

Model: HRY-216

Name: Multifunctional Type-C Docking Station



Packaging content

- | | |
|---|------|
| 1、 Multifunctional USB Type-C Hub | 1PCS |
| 2、 Instructions and quality assurance cards | 1PCS |

System requirements

- 1、 Operating system (OS) WIN7/WIN8/WIN10/MAC drive free connection
- 2、 Devices with TYPE-C interface (support for charging, data and DP ALT MODE functions)

Product characteristics

- 1、 All aluminum alloy design, classic fashion
- 2、 With wire storage function, easy to carry
- 3、 Support HDMI+VGA video output, suitable for all kinds of display equipment
- 4、 Support SST function for VGA and HDMI, Suitable for different sizes of screens
- 5、 Support 3.5MM audio output, more convenient to listen to music
- 6、 Strong PD quick charging function, it is more enjoyable to play while filling
- 7、 Provide 1000m wired network connection for faster and more stable transmission
- 8、 Multiplex USB 3.0 interface to connect more peripheral products
- 9、 With TF&SD card reading function, it is more convenient to read, write and store
- 10、 Personalized power indicator, monitor power status

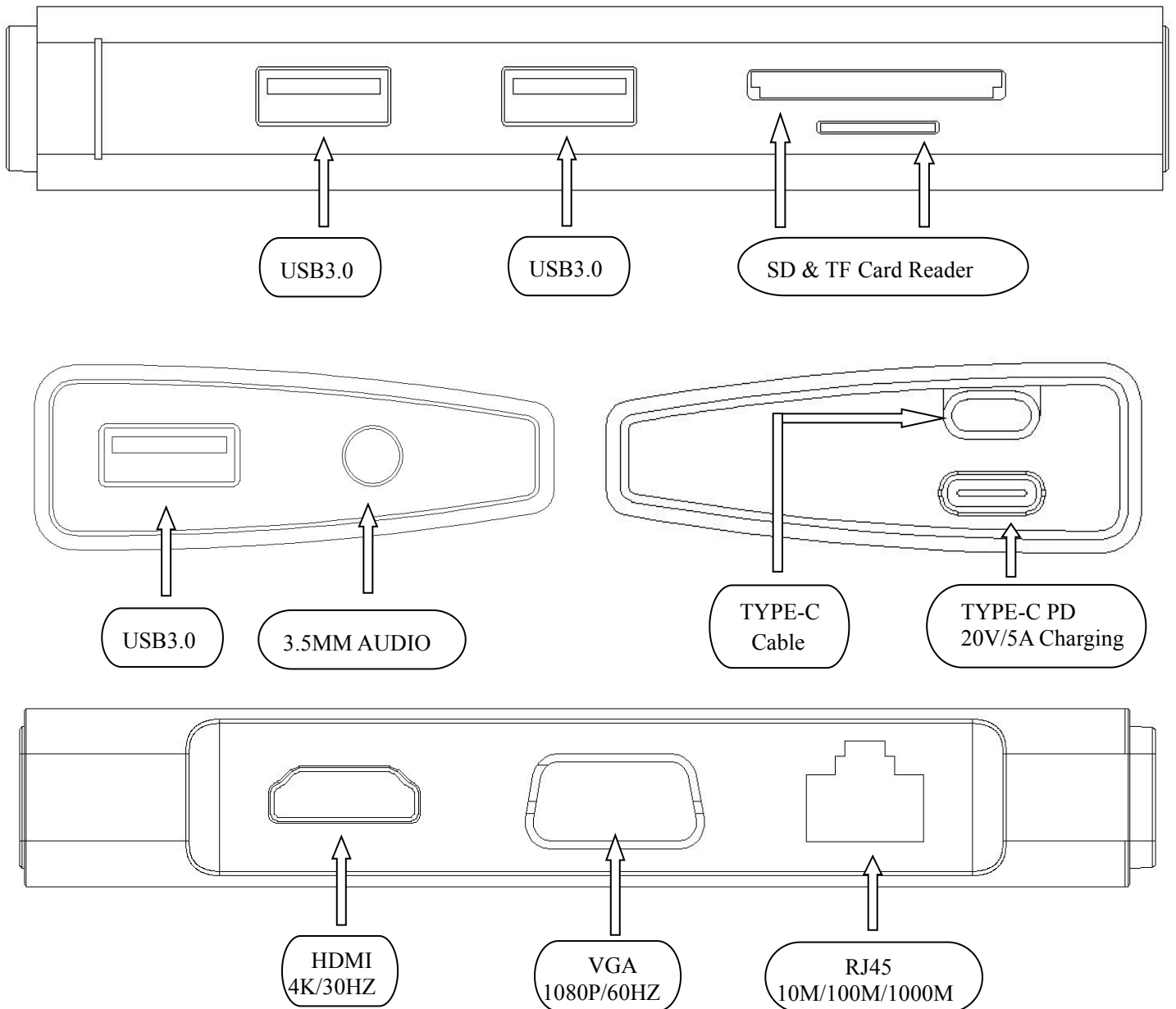
Technical parameter

- 1、 Working voltage: $5\pm 0.5V$
- 2、 Working current: $\leq 3A$
- 3、 TYPE-C: Support for PD fast charging protocol
- 4、 USB3.0: 3 x support USB2.0/3.0 devices
- 5、 HDMI: 4K/30HZ
- 6、 VGA: 1080P/60HZ
- 7、 AUDIO: Standard 3.5MM Audio Jack
- 8、 TF&SD: TF/SD card reader
- 9、 RJ45: 1000M Ethernet
- 10、 Cable: Connect to devices with TYPE-C interface (support for charging, data and DP ALT MODE)
- 11、 Product weight: $108g\pm 20g$
- 12、 Product size: $114.2*50*17.8mm\pm 1mm$ (not included cable)

Installation steps

- 1、 Take out the product, take out the included wire and place in the appropriate direction
- 2、 Connect the wire with the head end of type-c to the computer, and the power indicator light is on, indicating successful connection
- 3、 At this time, the computer will install the driver automatically, and after the installation is completed, all kinds of equipment can be connected to operate normally

Product interface specification



Kindly reminder

- 1、 The USB-C Interface on PC has to support CHARGING, DATA & DP ALT Mode, or else some of the functions maybe NOT WORKING!
- 2、 TF and SD card readers can't work at the same time
- 3、 When HDMI and VGA work at the same time, Resolution is 1080P/60HZ
- 4、 Audio needs to be connected to the display in order to output properly
- 5、 External PD power supply requires the use of an adaptive power supply equipped with the original device, or the use of other power adapters that conform to the specifications